

SSHMY-T

3-Piece, Stainless Steel, High Misalignment,
Heavy Duty Shank, PTFE Lined



Rod Ends Precision/ Heavy Duty

Suitable for many high precision motion control applications within high corrosion and/or "clean room or food grade" environments. The Tuthill SSHMY-T Series offers a stainless steel throughout, PTFE lined steel race rod end design — but in a design that combines the strength benefits of the step shank with the added misalignment features of a shouldered ball. This design increases the load capacity of the rod end and eliminates the need for extra spacers. It delivers the ultimate in corrosion resistance benefits and the self-lubricating low maintenance features needed in environmentally challenging applications.

The ball is produced from heat treated 440c stainless steel. Body and raceway components are produced from heat treated, high strength (17-4) stainless steel. Permanently bonded PTFE liner minimizes wear within the body's inner bearing surface, reducing maintenance and increasing rod end life. Right or left-handed thread versions are available.

The SSHMY-T Series is just one of many within our broad line of precision rod ends. For full product line detail, contact us for a comprehensive catalog or visit www.tuthill.com and download individual product data sheets and other product information.



Description:

SSHMY-T
Precision/Heavy Duty Rod Ends
3-Piece, Stainless Steel, High
Misalignment, Heavy Duty
Shank, PTFE Lined

Applications:

Environmentally challenging
and heavier duty precision
motion control devices and
applications, including:

- Heavy duty marine
- Racing
- Specialized industrial
equipment
(IE: food, medical, etc.)

Features:

- 3-piece design uses stainless
steel throughout to provide
for the ultimate in corrosion
resistance in a high strength
precision rod end
- Greater versatility of angular
movement is realized via use
of special "high misalignment"
shouldered ball
- Increased resistance to
radial static load capacity via
heavy duty step shank design
- PTFE lined design
minimizes wear between
working surfaces (lower
maintenance, increased life)
- Precision spherical bearing
insert allows for optimum
contact between the ball
and race extending the
product life
- Can be used in a wide
range of temperatures:
-65°F — 250°F
(-54°C — 121°C)
- Offered in right or
left-handed versions

Other Related Products:

- SSAM-T/SSAF-T 3-Piece,
Stainless Steel, PTFE Lined
- SSHM-T 3-Piece, Stainless
Steel, Heavy Duty Shank,
PTFE Lined

SSHMY-T

3-Piece, Stainless Steel, High Misalignment,
Heavy Duty Shank, PTFE Lined

Material

Ball

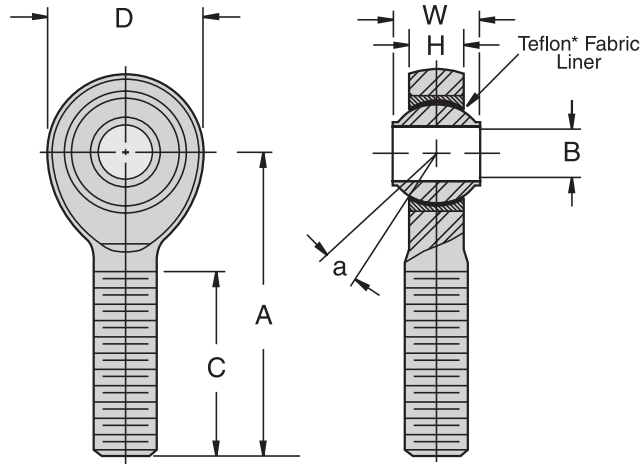
- 440c Stainless Steel, Heat Treated

Body and Race

- 17-4 Stainless Steel, Heat Treated

Liner

- PTFE Fabric, Permanently Bonded to I.D.



SSHMY-T CHART

Part Number		B +.0015 -.0005	W +.000 -.002	A ±.010	D ±.010	REF	C +.062 -.031	UNF-3A	H ±.005	a°	Ultimate Radial Static Load Capacity (Pounds)	Approx. Weight (Pounds)
Right Hand	Left Hand	Ball Bore	Ball Width	Centerline Length	Head Diameter	Ball Diameter	Thread Length	Thread Size	Housing Width	Misalign Angle		
SSHMY4T	SSHMYL4T	.2500	.593	1.938	1.000	.593	1.250	3/8-24	.265	23	8,650	.11
SSHMY5T	SSHMYL5T	.3125	.813	2.125	1.125	.781	1.375	7/16-20	.355	22	9,050	.16
SSHMY6T	SSHMYL6T	.3750	.813	2.125	1.125	.781	1.375	7/16-20	.355	22	9,050	.15
SSHMY7T	SSHMYL7T	.4375	.875	2.438	1.312	.875	1.500	1/2-20	.355	21	14,100	.25
SSHMY8T	SSHMYL8T	.5000	.937	2.625	1.500	1.000	1.625	5/8-18	.411	19	19,800	.39
SSHMY10T	SSHMYL10T	.6250	1.200	2.875	1.750	1.250	1.750	3/4-16	.577	19	26,500	.62
SSHMY12T	SSHMYL12T	.7500	1.280	3.375	2.000	1.375	1.875	7/8-14	.630	18	34,200	.90

Linking Motion
& Control...
The Tuthill
Solution



Product Selector Guide

- Rod Ends —
Industrial/Commercial
- Rod Ends —
Precision/Heavy Duty
- Spherical Bearings
- Ball Joints
- Swivels
- Clevises/Safety
Fasteners/Pins



TUTHILL
Controls Group

2110 Summit Street
New Haven, Indiana USA 46774
Tel 260 749-5105 Fax 260 493-2387
www.tuthill.com

• Please refer to the Warning statement and appropriate installation usage information in the Tuthill Technical/Application Data brochure
• For application assistance/technical questions, please contact (tlttech@tuthill.com) or phone (260-749-5105)