

SSHIM-T

3-Piece, Stainless Steel,
Heavy Duty Shank, PTFE Lined



Rod Ends Precision/ Heavy Duty

Suitable for many high precision motion control applications within high corrosion and/or "clean room or food grade" environments. The Tuthill SSHIM-T Series offers a stainless steel throughout, PTFE lined steel race rod end design — but in a heavy duty step shank design to increase capacity for radial static loading resistance. It delivers the ultimate in corrosion resistance benefits, while combining self-lubricating low maintenance features needed in environmentally challenging applications.

The ball is produced from heat treated 440c stainless steel. Body and raceway components are produced from heat treated, high strength (17-4) stainless steel. Permanently bonded PTFE liner minimizes wear within the body's inner bearing surface, reducing maintenance and increasing rod end life. Right or left-handed thread versions are available.

The SSHIM-T Series is just one of many within our broad line of precision rod ends. For full product line detail, contact us for a comprehensive catalog or visit www.tuthill.com and download individual product data sheets and other product information.



Description:

SSHIM-T
Precision/Heavy Duty Rod Ends
3-Piece, Stainless Steel, Heavy
Duty Shank, PTFE Lined

Applications:

Environmentally challenging and heavier duty precision motion control devices and applications, including:

- Heavy duty marine
- Racing
- Specialized industrial equipment (IE: food, medical, etc.)

Features:

- 3-piece design uses stainless steel throughout to provide for the ultimate in corrosion resistance in a high strength precision rod end
- Increased resistance to radial static load capacity via heavy duty step shank design
- PTFE lined design minimizes wear between working surfaces (lower maintenance, increased life)
- Precision spherical bearing insert allows for optimum contact between the ball and race extending the product life
- Can be used in wide range of temperatures: -65°F — 250°F (-54°C — 121°C)
- Offered in right or left-handed versions male only

Other Related Products:

- SSAM-T/SSAF-T 3-Piece, Stainless Steel, PTFE Lined
- SSHMY-T 3-Piece, Stainless Steel, High Misalignment, Heavy Duty Shank, PTFE Lined

SSHM-T

3-Piece, Stainless Steel,
Heavy Duty Shank,
PTFE Lined

Material

Ball

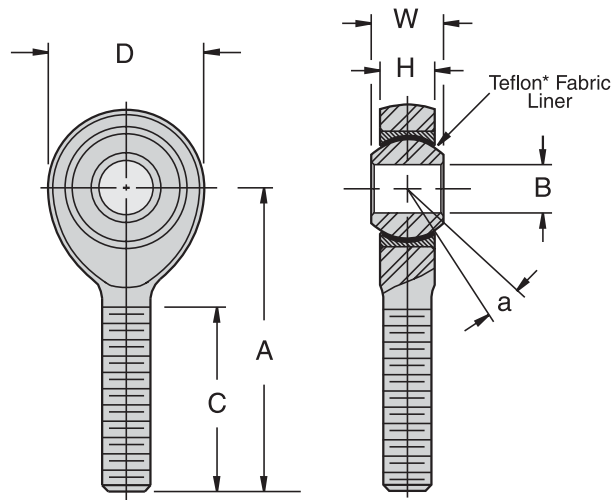
- 440c Stainless Steel, Heat Treated

Body and Race

- 17-4 Stainless Steel, Heat Treated

Liner

- PTFE Fabric, Permanently Bonded to I.D.



SSHM-T CHART

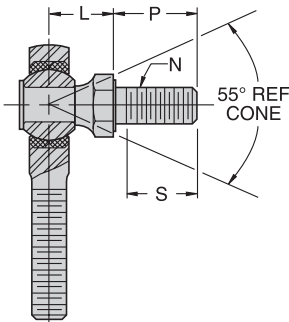
Part Number		B +.0015 -.0005	W +.000 -.002	A ±.010	D ±.010	REF	C ±.031	UNF-3A	H ±.005	a°	Ultimate Radial Static Load Capacity (Pounds)	Approx. Weight (Pounds)
Right Hand	Left Hand	Ball Bore	Ball Width	Centerline Length	Head Diameter	Ball Diameter	Thread Length	Thread Size	Housing Width	Misalign Angle		
SSHM4T	SSHML4T	.2500	.437	1.562	.806	.531	.968	5/16-24	.337	5	4,860	.072
SSHM5T	SSHML5T	.3125	.437	1.875	.900	.570	1.187	3/8-24	.327	14	9,200	.095
SSHM6T	SSHML6T	.3750	.500	1.938	1.025	.687	1.187	7/16-20	.416	9	10,900	.140
SSHM7T	SSHML7T	.4375	.562	2.125	1.150	.781	1.281	1/2-20	.452	10	14,050	.210
SSHM8T	SSHML8T	.5000	.625	2.438	1.337	.875	1.468	5/8-18	.515	9	23,400	.330
SSHM10T	SSHML10T	.6250	.750	2.625	1.525	1.062	1.562	3/4-16	.577	12	26,050	.480
SSHM12T	SSHML12T	.7500	.875	2.875	1.775	1.250	1.687	7/8-14	.640	13	34,500	.730

Chart Notes: 1. This series is also available in a studded configuration. Specify by adding "S" to suffix. Example: SSHM10TS

Linking Motion
& Control...
The Tuthill
Solution



Studded Dimensions



Rod End Bore Size	L REF	P ± .030	S Min. Thread Length	N Thread Size UNF-2A
1/4"	.469	.563	.500	1/4-28
5/16"	.531	.688	.594	5/16-24
3/8"	.625	.875	.781	3/8-24
7/16"	.844	1.062	.937	7/16-20
1/2"	.875	1.125	1.000	1/2-20
5/8"	1.000	1.125	1.000	5/8-18
3/4"	1.187	1.812	1.625	3/4-16

Product Selector Guide

- Rod Ends — Industrial/Commercial
- Rod Ends — Precision/Heavy Duty
- Spherical Bearings
- Ball Joints
- Swivels
- Clevises/Safety Fasteners/Pins



2110 Summit Street
New Haven, Indiana USA 46774
Tel 260 749-5105 Fax 260 493-2387
www.tuthill.com

• Please refer to the Warning statement and appropriate installation usage information in the Tuthill Technical/Application Data brochure
• For application assistance/technical questions, please contact (tltgtech@tuthill.com) or phone (260-749-5105)