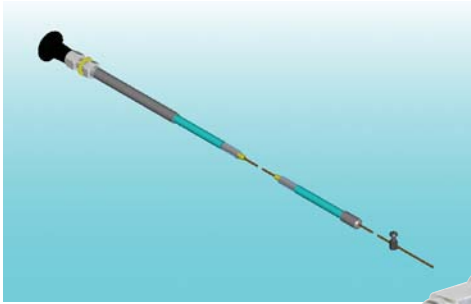


Non Lock

Push-Pull Control Head



Control Head Industrial

Non lock control heads are designed for remote engine shutdown/choke, latch/valve operation, and numerous other applications. These panel or bracket mounted units are intended for light to moderate loads. They are cost effective solutions to mechanically connecting a manual input source to a remote output, especially when space is limited or rod linkage and bell cranks are not suitable choices. Various T-handles/knobs with or without functional identifications, as well as output end configurations are available. The ordering code and technical description shows the numerous choices.



Description:

Non Lock
Industrial Push-Pull
Control Head

Applications:

- Engine shut down
- Engine choke
- Latch operation
- Valve operation

Features:

- Load: 50lb maximum
- Travel: 3.00" maximum
- Threaded mount

Other Related Products:

- Micro Adjust
- Twist Lock

Non Lock

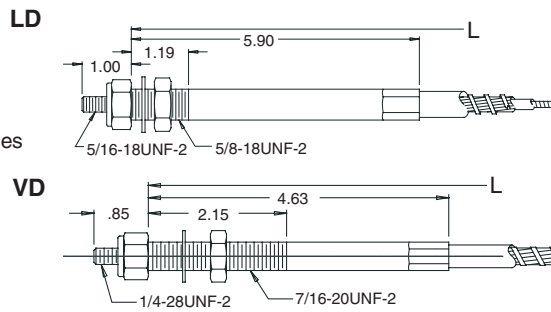
Material

- Plated Carbon Steel Corrosion-Proof Control Heads

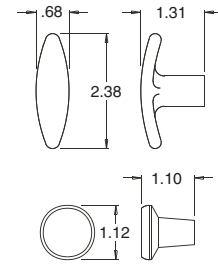
Suggested End Fittings

- See Hardware/End Fittings or Call Factory for More Information

Linking Motion & Control...
The Tuthill Solution



Knob Options



Control Head Matrix

	Extended Dimensions	Non Lock VLD	Non Lock LD	Twist Lock	Micro Adjust	
VLD 	"A"	81V32		51V32	21V32DF	EXT
	1" 4.94"	81V42		51V42	21V42DF	
	2" 6.94"	86V32		56V32	26V32DF	UTL
	3" 8.94"	86V42		56V42	26V42DF	
VLD 	"A"	81V33		51V33	21V33DF	EXT
	1" 4.25"	81V43		51V43	21V43DF	
	2" 6.25"	86V33		56V33	26V33DF	UTL
	3" 8.25"	86V43		56V43	26V43DF	
LD 	"A"		91L32	51L32	21L32DF	EXT
	1" 5.18"		91L42	51L42	21L42DF	
	2" 7.18"		96L32	56L32	26L32DF	UTL
	3" 9.18"		96L42	56L42	26L42DF	
LD 	"A"		91L33	51L33	21L33DF	UTL
	1" 4.56"		91L43	51L43	21L43DF	
	2" 6.56"		96L33	56L33	26L33DF	UTL
	3" 8.56"		96L43	56L43	26L43DF	
VLD 		79V00		59V00	29V00	BRIS
		79V04		59V04	29V04	
		79V05		59V05	29V05	
LD 		79V00		59V00	29V00	
		79V04		59V04	29V04	
		79V05		59V05	29V05	

Cablecraft® Ordering Codes

Control Head Type

- 7 = Non Lock with 3/8"- 24 UNF Mounting
- 8 = Non Lock with 7/16"- 20 UNF Mounting
- 9 = Non Lock with 5/8"- 18 UNF Mounting

Cable Type

- 1 = Low Friction-EXT 3 = Low Friction 6 = Utility 9 = Bristow

Cable Size

- V = Very Light Duty L = Light Duty

Stainless Steel Options

- 0 = Carbon Steel Fittings
- 3 = with Stainless Steel End Rod
- 4 = with Stainless Steel End Rod, Support Tube and Innermember Armor

Output End Fittings

- 0 = See Illustration 2 = Threaded Swivel 3 = Grooved Swivel

Seal Options (Use This Number Only if Requesting Optional Seals)

- 5 = Improved Model 5 Wiper Seal is Standard on Low Friction-EXT & Utility
- 6 = Model 6 Wiper Seal, Optional on All Controls

Cable Travel — 1"- 3" (For Output Fittings Style 2 & 3 Only)

Overall Length — (See Overall Length Dimension Points Indicated on Each Illustration)

Knob Option

7 - 1 - L - 3 - 2 - (6) - 3 - 120 /

* Please refer to the cautions/warnings and appropriate installation usage information in the Technical/Application Data sheet
 * For application assistance/technical questions, please contact us at the appropriate location listed below or through our website at www.tuthillcontrols.com



4401 South Orchard Street
Tacoma, Washington 98466 USA
Tel 253 475-1080 Fax 253 474-1623

2110 Summit Street
New Haven, Indiana USA 46774
Tel 260 749-5105 Fax 260 493-2387
www.tuthillcontrols.com

Diplocks Way-South Road
Hailsham, East Sussex BN27 3JF, England
Tel 44 1323 841510 Fax 44 1323 845848

Hingbergstrasse 79
45468 Mulheim an Der Rhur, Germany
Tel 49-208-300-650 Fax 49-208-300-6550